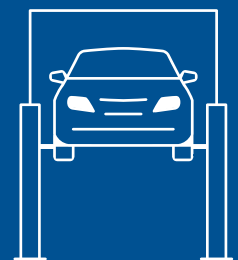


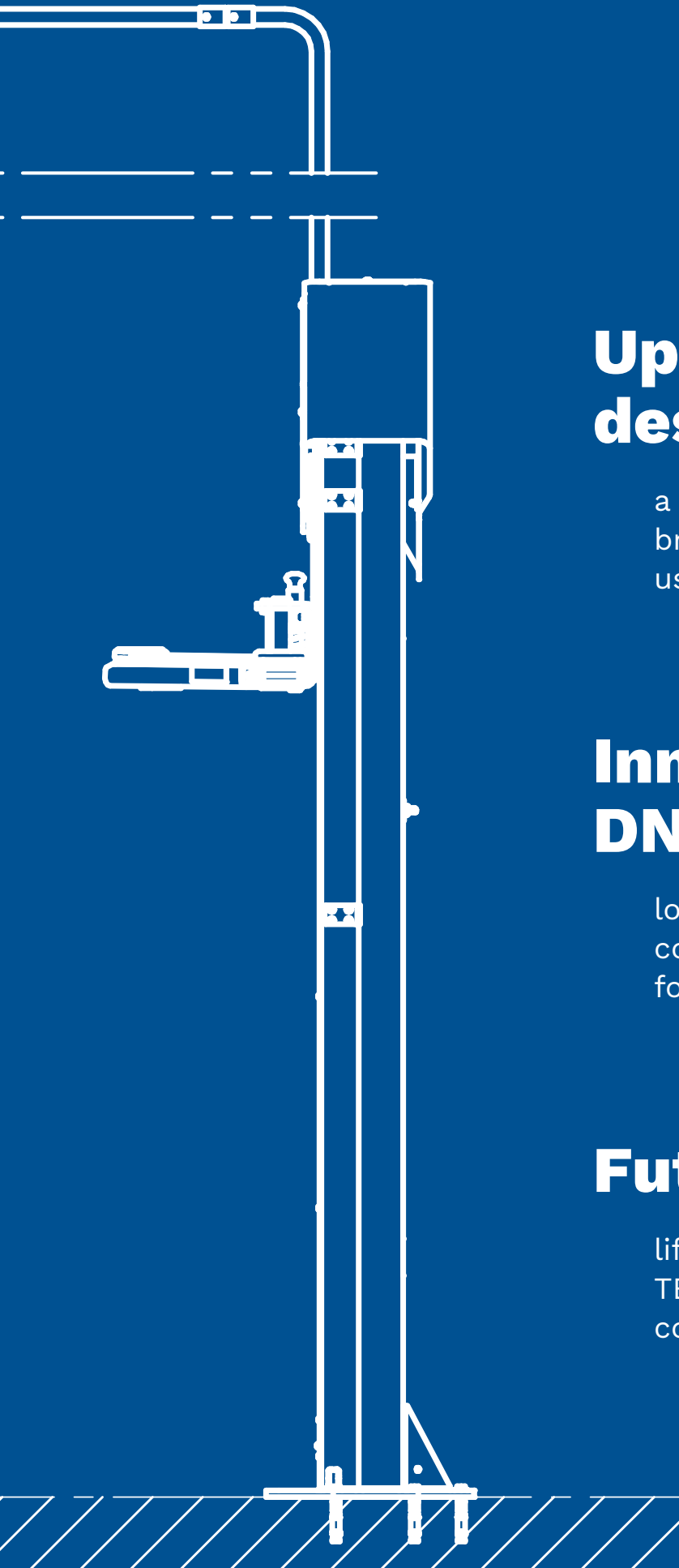
2-POST LIFTS
Electromechanical

From History
to the Future



 **Ravaglioli**

LEGEND SERIES
KPX40AV



Up-to-date design:

a modern outline that brings modernity and usability to the workshop

Innovative DNA:

long-lasting high-quality components and tested for 20000 cycles

Future proof:

lifts designed for the TEq-Link workshop connectivity system



Emerging from the best selling 2-post lifts, the **Legend Series** consolidates the **engineering knowledge** of Ravaglioli and shapes it into an **innovative package**. **Looking towards the future while always honouring the past**, Ravaglioli has set an important goal for itself - let the performance meet the design.



High-performance motors.

Automatic arm lock and automatic ground release: conical geometry with self-locking effect.

Permanent and automatic lubrication of the nuts to ensure effective operation during upward and downward movement.

High-strength rolled steel screw for maximum durability.

Arms made of special steel, with first stage height just 70 mm and second stage height 85 mm.



Equipped with an **acoustic anti toe trap system**. Free from mechanical foot guards.

Premium quality of components.



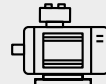
Aluminum pulley with cooling function.



Long lasting bearings.



50% longer, bronze load nut.



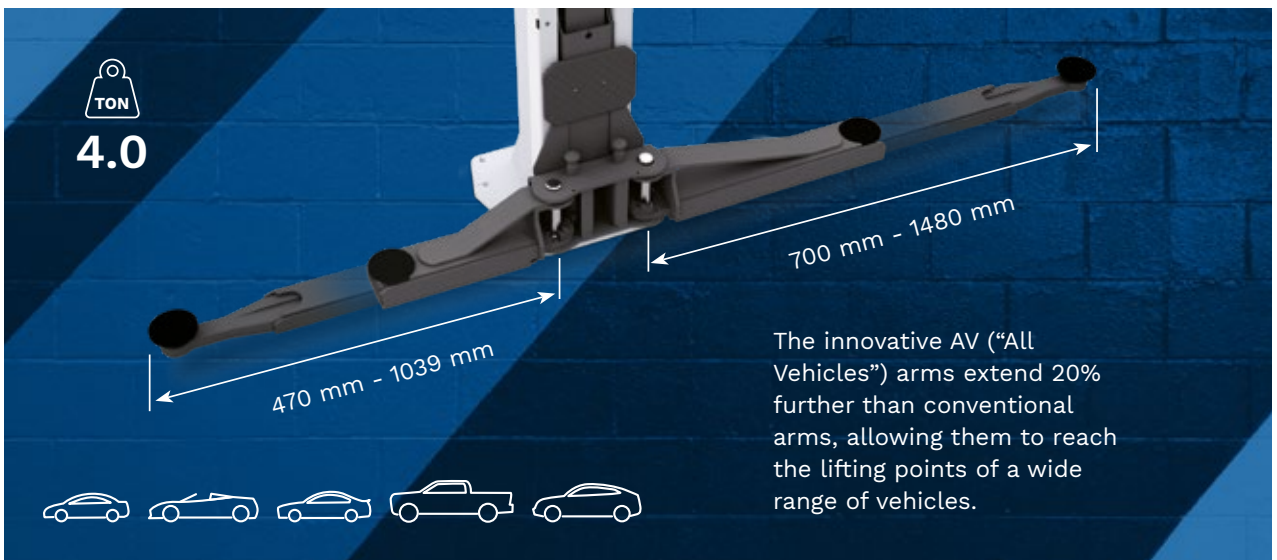
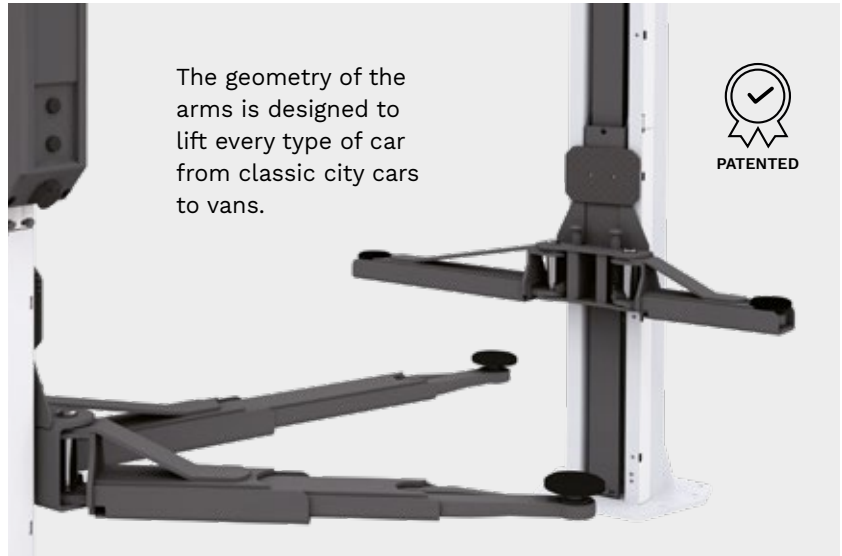
Motors with reinforced and cooling casing.



Solid automatic arm locking.



E version equipped with double control panel and Energy kit.

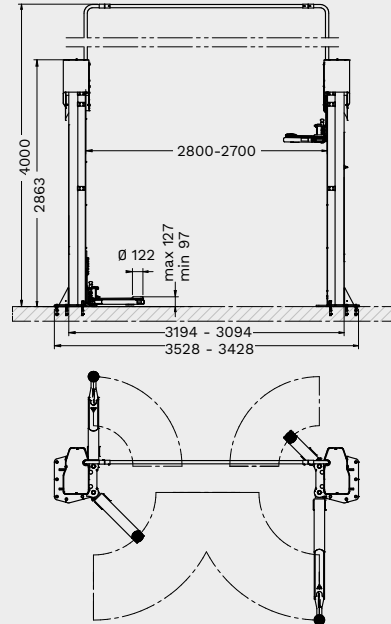


Closed arm.



Fully extended arm.

Technical Data



	Item no.	Control	Double control panel + Energy kit	TEq-Link	Power supply
KPX40AV	RAV.KPX40.198204	push buttons		✓	400 V / 50 Hz
KPX40AVE	RAV.KPX40.198235	push buttons	✓	✓	400 V / 50 Hz

	KPX40AV
Mode of drive	electromechanical
Type of installation	floor mounted
Capacity	4000 kg
Max. lifting height	2011 mm
Lifting time	58 s
Min. pad height	97 mm
Max. pad height	127 mm
Distance inside columns	2700 - 2800 mm
Distance outside columns	3194 - 3094 mm
Distance between outer plates	3528 mm
Column height	2863 mm
Drive-through width	2504 mm
Required ceiling height	4100 mm
Surface coating	powder coating
Telescopic rear arms	3-stage
Bracci posteriori telescopici	3-stage
Min. front arm length	470 mm
Max. front arm length	1039 mm
Min. rear arm length	700 mm
Max. rear arm length	1480 mm
Driving power	2x3.5 kW
Electrical connection	3 Ph 400 V 50 Hz
Max. height	4000 mm

Accessories



VSG.2CELM.901927

Eyebolt for handling columns (3.2 t - 3.5 t - 4.2 t)
It facilitates installation of the lift, can be used again for other installations



VSG.2CELM.902498

Inground cable connection kit
Allows columns connection cables to be placed inground, eliminating the overhead connecting pipes and height restrictions. Ideal for workshops with low ceilings



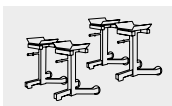
VSG.2CALL.901453

Outrigger plates kit (4/4.2/4.5 t)
1 set of 2 plates, allowing installation on floors with poor capacity or lower concrete thickness



VSG.2CALL.902818

Vehicles lift platforms kit
1 set with 4 ramps, ramp height 60 mm



VSG.2CALL.902085

Kit of stands for alignment
1 set with 4 stands



VSG.2CALL.902641

Magnetic tray
1 set with 2 trays



VSG.2CALL.899996

Spacer kit (127mm+90mm)



VSG.2CALL.899989

Frame grip pad kit



RAV Italy

Vehicle Service Group Italy S.r.l.

Via Filippo Brunelleschi 9
44020 Ostellato (FE)
Italy

☎ +39.051.6781511
☎ +39.051.846349
✉ rav@ravaglioli.com

RAV France

RAV France SARL

4, Rue De Longue Raie
ZAC de la Tremblaie
91220 Le Plessis Pâté
France

☎ +331.60.86.88.16
☎ +331.60.86.82.04
✉ rav@ravfrance.fr

RAV Germany

BlitzRotary GmbH

Hüfingcr Straße 55
78199 Bräunlingen
Germany

☎ +49.771.9233.0
☎ +49.771.9233.99
✉ ravid@ravaglioli.com

RAV UK

Vehicle Service Group UK Ltd

3 Fourth Avenue,
Bluebridge Industrial Estate
Halstead, Essex, CO9 2SY
United Kingdom

☎ +44.1787.477711
☎ +44.1787.477720
✉ rav@ravaglioli.com

DRD47U(01)

Technical data and composition presented in this catalogue may vary.
Pictures reproduced are only indicative.

Member of VSG - Vehicle Service Group
a **DOVER** company

