



MEASURED FOR SUCCESS

POWER LIFT HF 3S	3500
Lifting capacity (kg)	3500
Lifting/lowering time approx. (sec)	26/14
Lifting height (mm)	2045
Lowest lifting point (mm) Version OTTO	115-190
Version OTTO MINI-MAX	90-185
Total height column (mm)	4040*
Total height with riser pipe (mm)	4109-4909
Recommended total width (mm) Version OTTO	3350
Version OTTO MINI-MAX	3350
Column distance (mm) Version OTTO	2766
Version OTTO MINI-MAX	2766
Arm-extraction long (mm) Version OTTO	995-1823
Version OTTO MINI-MAX	995-1823
Arm-extraction short (mm) Version OTTO	570-1160
Version OTTO MINI-MAX	600-980
Power supply (V/Hz/A)	400/50/16

Now also available with reduced column height

Ask for
HF 3S OTTO RH

ACCESSORIES



Height adapter 44 mm



Height adapter 155-245 mm



U-form adapter 150-233 mm



Lashing straps (2 Stk)



Drive-on plates (4 Stk)

More accessories available

* Version RH with reduced column height available. We recommend a ceiling height of at least 3880 mm for installation.

Techn. changes and errors excepted. | Valid from 09 2020 © Nussbaum Custom Lifts GmbH | Hertzstr.6 | 77694 Kehl | Germany
 Tel.: +49 (0) 7853 899 - 0 | Fax: +49 (0) 7853 8787 | info@nussbaum-group.de | nussbaumlifts.com



NUSSBAUM GROUP is a family owned business in Kehl am Rhein in Germany. For more than 40 years we produce our products exclusively in Germany. Every unit is controlled and thoroughly tested before leaving our facility. We are proud to be one of the world's leading manufacturers of automotive lifts and workshop equipment.



facebook.com/nussbaumgroup



youtube.com/nussbaumgroup

Made in Germany



HYDRAULIC 2-POST LIFT

HF 3S OTTO

ACHIEVEING MORE. SAFELY.

WITH *PATENTED*
HyperFlow[®]
technologie



THE FLEXIBLE 2-post lift

- ✓ Double-jointed arms for flexible pick-up of various cars. Very good accessibility to the sill and interior due to arm positioning under the vehicle.
- ✓ Triple safety: two independent hydraulic circuits plus automatic lock
- ✓ Low maintenance requirements: No synchronization ropes, no rollers
- ✓ Parking position for comfortable working
- ✓ Exceeds the strict specifications of the DIN EN 1493:2010

3500 KG

HYDRAULIC 2-POST LIFT

POWER LIFT HF 3S

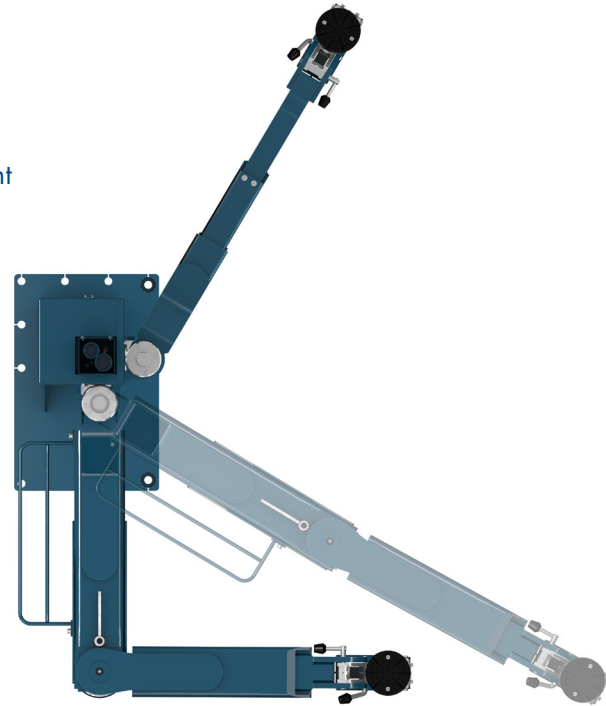
Speed and Safety

The Power Lift HF 3S provides the base for our Otto arms. Fastest lifting and lowering times, redundant safety features, high productivity, intelligent features and life cycles of up to 30 years characterize this lift. It is not without reason that Nussbaum lifts are among the world's leading equipment in automotive workshops. The HF 3S and the Otto arm fit together perfectly: Simply fast. Variable precision lowering. Triple safety.

And more flexible than ever.

Thought through design

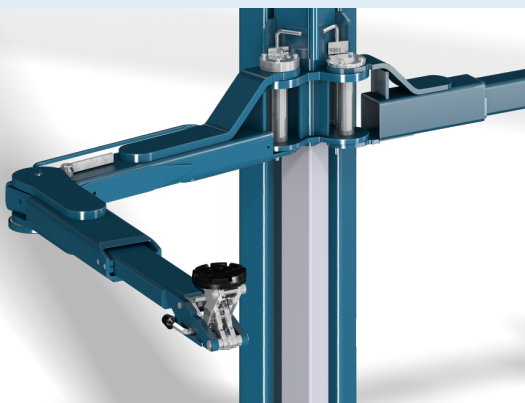
- ✓ Easy arm positioning thanks to smooth-running Otto arms
- ✓ Ergonomic release of the arm joint
- ✓ No floor connection required
- ✓ No fixed connection between the columns: Installation width variable (± 200 mm), flexible riser pipe extension from +200 up to +900 mm optionally available
- ✓ Compressed air and electricity connection (220 V) integrated in opposite column
- ✓ Submerged oil motor: Durable and quiet, constant oil viscosity and therefore constant running speed - even at cold operating temperatures
- ✓ CE - Stop, acoustic signal for additional safety



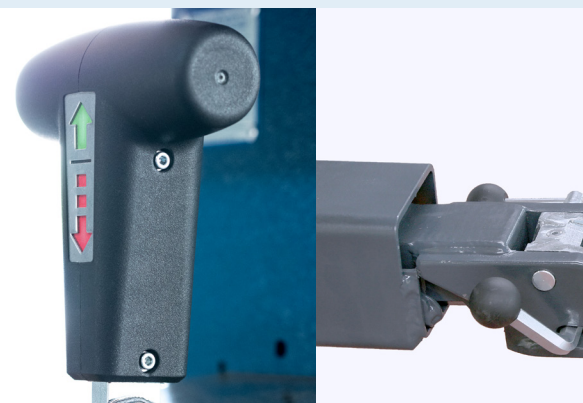
MORE SPACE

With the additional joint of the Otto arm we create more space under the vehicle.

POWER LIFT HF 3S: YOUR BEST PARTNER TO LIFT ALMOST EVERY VEHICLE



OTTO MM: Flat construction. Very robust, made of high quality steel. Possibility to position the arm under the vehicle.



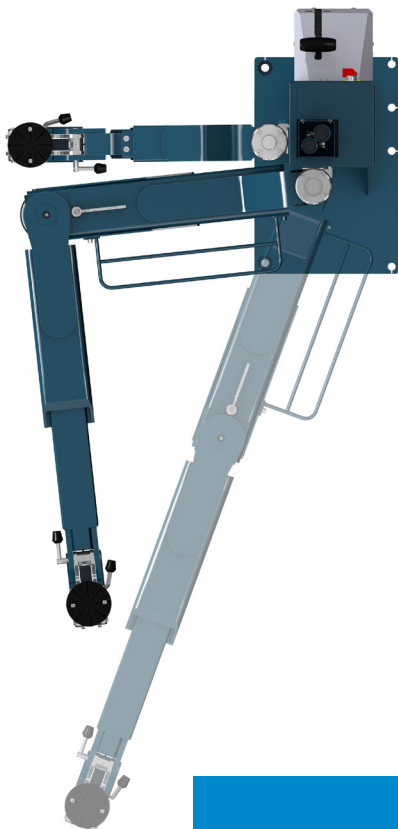
The NUSSBAUM Commander allows a sensitive lowering, is lockable and always secured against unintentional lowering.

Mini Max: Ideal for lifting off-road



FLEXIBLE PICK UP

Excellent access to the body and interior of the car by positioning the arm underneath the vehicle



THE OTTO ARM: Different versions for different needs

All versions with asymmetrical support arms for maximum door clearance

- **OTTO** The perfect combination of double telescope and double jointed arms. The short arms can be extended twice and the long arms have an additional joint. This combination provides new freedom under the vehicle.
- **OTTO MM** Flexibility meets comfort. The combination of Otto and Mini Max increases operating comfort tremendously when lifting a wide variety of vehicles. Easy to position thanks to our Otto and convenient pickup pad adjustment thanks to Mini Max



Fast and flexible

- **Lifting and lowering times** 23 seconds/14 seconds
- **Low energy consumption**
- **Maximum flexibility** in arm positioning for ideal access to underbody and batteries of electric vehicles
- **HyperFlow® technology:** automatic compensation of the hydraulic system in the highest position, automatic synchronisation of the arms
- **Less moving parts, less maintenance**

